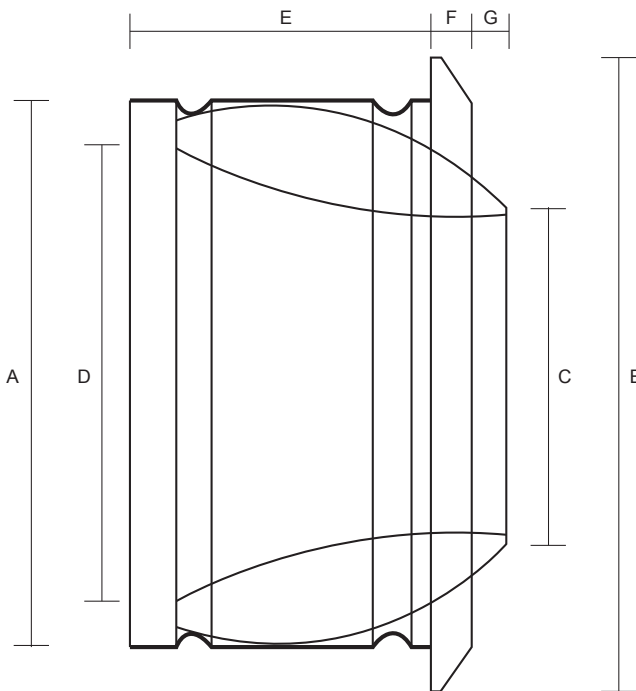


Adjustable Jet Nozzle Type BJN

Suitable for Sidewall positioning to distribute warm or cool air into large open spaces. It is adjustable to 360° to allow the air discharge to be directed to suit specific site requirements whilst excellent induction of room air gives comfortable conditions within the occupied zone.



Diffuser Dimensions



Nominal Size	A	B	C	D	E	F	G	Net Weight (kg)
100	97	149	48	73	72	22	0	0.20
125	122	173	62	90	92	24	0	0.37
160	157	199	76	108	105	23	2	0.43
200	197	265	107	152	130	27	10	0.62
250	247	310	128	195	170	25	10	1.24
315	312	378	180	240	190	30	15	1.60
400	397	468	223	330	213	31	26	2.04
500	497	581	292	413	240	39	65	3.40

How to Order

Type	Frame	Size	RAL Colour
BJN	F - Standard Flange	200 dia	e.g. RAL 9010

e.g. 10 No BJN - F - 200 Dia - RAL 9010

Adjustable Jet Nozzle Type BJN

Performance Data

Size												
200 Dia	I/s	30		50		70		90		110		
	Throw m/s	10.1	6.1 3.0	16.8	10.1 5.1	23.6	14.1 7.1	30.3	18.2 9.1	>30	22.2 11.1	
	Pd	13		36		71		118		176		
	Lwa dB (A)	<15		17		21		33		39		
250 Dia	I/s	70		90		110		130		150		170
	Throw m/s	15.8	9.5 4.8	20.4	12.2 6.1	24.9	14.9 7.5	29.4	17.7 8.8	>30	20.4 10.2	>30 23.1 11.5
	Pd	19		31		47		66		87		112
	Lwa dB (A)	<15		21		27		32		36		39
315 Dia	I/s	110		130		150		170		190		210
	Throw m/s	20.5	12.3 6.1	24.2	14.5 7.3	27.9	16.8 8.4	>30	19 9.5	>30	21.2 10.6	>30 23.5 11.7
	Pd	18		25		33		43		53		65.29
	Lwa dB (A)	<15		16		20		23		26		41
400 Dia	I/s	200		250		300		350		400		450
	Throw m/s	25	15 7.5	>30	18.7 9.8	>30	22.5 11.3	>30	26.2 13.2	>30	29.9 15.1	>30 >30 16.8
	Pd	13		21		30		41		54		68
	Lwa dB (A)	<15		20		25		30		33		37
500 Dia	I/s	300		400		500		600		700		800
	Throw m/s	27.5	16.5 8.3	>30	22 11	>30	27.5 13.8	>30	>30 16.5	>30	>30 19.2	>30 >30 22
	Pd	7		12		18		26		36		46
	Lwa dB (A)	8		16		23		28		32		36

NOTE:

All throws based on terminal velocities of 0.3/0.5/1.0 m/s