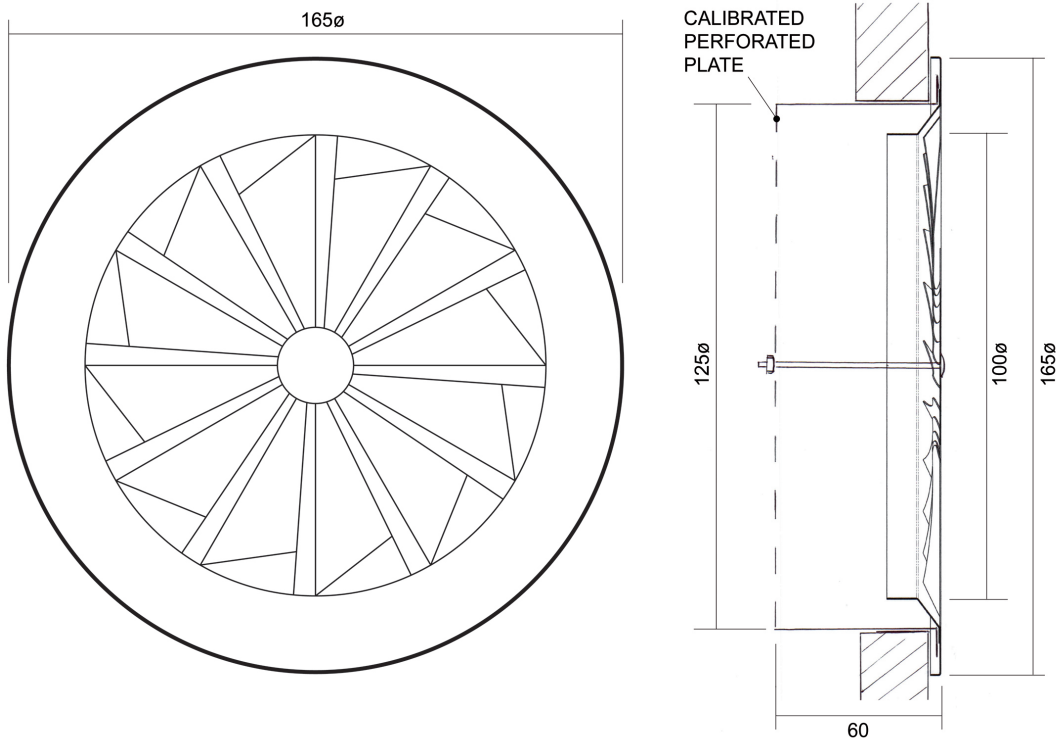


Staircase Twist Outlet

Suitable for mounting in the step riser to supply air within auditoriums and general assembly rooms. The high induction effect of the Twist Outlet creates rapid decay of both the supply air velocity and temperature within very close proximity to the diffuser. The subsequent low velocity air then displaces the warm, polluted air leaving a comfortable environment for the occupant.



How to Order

Type	No of Blades	Edge Detail	Size	RAL Colour
BTO	12	SF - Sub Frame	165 Dia	e.g. RAL 9010

e.g. 10 No BTO - SF - 165 Dia - RAL 9010

Performance Data

Size									
160	l/s	6	7	8	9	10	12	15	
	Pa	9	12	15	18	24	34	54	
	dB(A)	5	9	13	16	19	21	31	